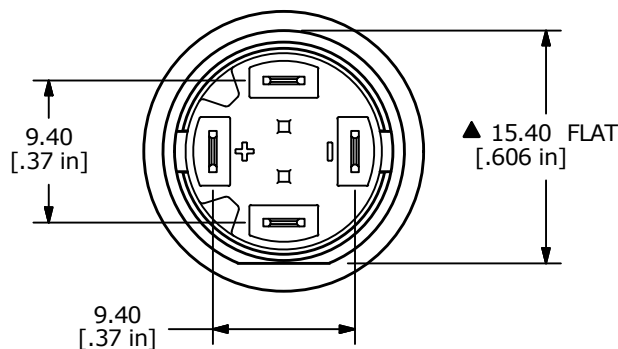
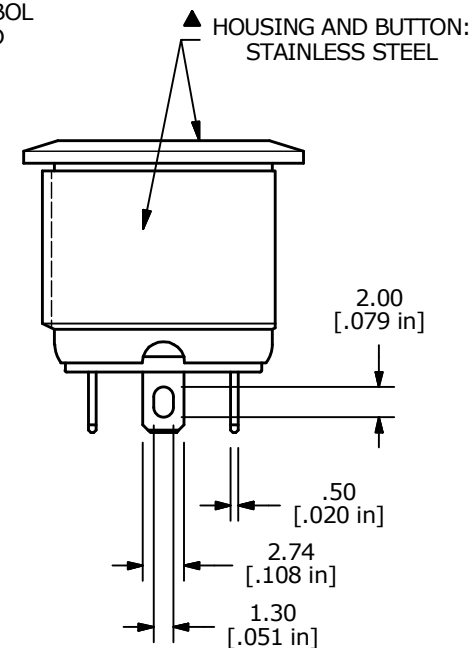
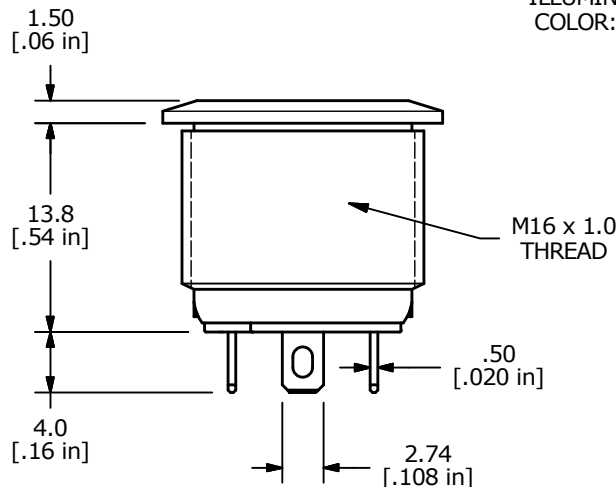
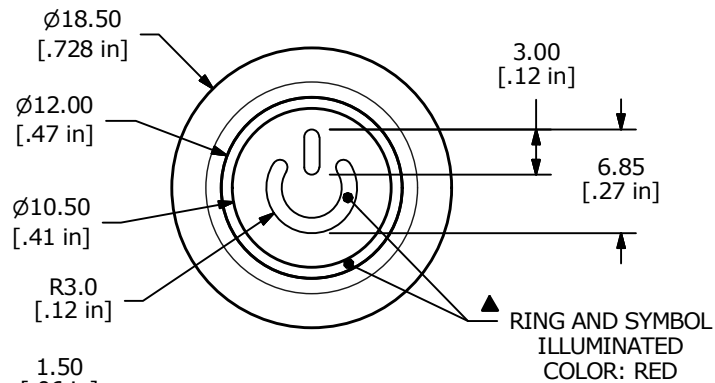


- NOTE:
1. ALL DIMENSIONS IN MM [INCH]
  2. GENERAL TOLERANCE: X.X = ±0.4  
X.XX = ±0.25
  3. TERMINAL NUMBERS FOR REF ONLY
  4. CONTACT MATERIAL: SILVER PLATED
  5. RATING: 2A 36VDC
  6. ELECTRIC LIFE: 200,000
  7. INSULATION RESISTANCE: 1,000MΩ MIN @ 500VDC.
  8. DIELECTRIC STRENGTH: 2,000VAC MIN. FOR 1 MINUTE
  9. CONTACT RESISTANCE: 50mΩ MAX. @ 1A 12VDC
  10. OPERATING TEMP.: -20°C to 70°C
  11. TRAVEL: 2.0mm
  12. ▲ DENOTES CRITICAL PARAMETER.
  13. ILLUMINATION COLOR: RED
  14. HARDWARE SUPPLIED: O-RING AND HEXNUT (NOT SHOWN)
  - ▲ 15. ILLUMINATION VOLTAGE RATING: 1.7 - 2.5V @ 20 mA
  16. 2011/65/EC (ROHS) COMPLIANT
  17. INGRESS PROTECTION: IP67



C	23318	title to PVA6FP24S11, and note to SS	4/17/18	MW
B	22631	update Note 15	12/21/16	MW
A	22517	New Release	9/21/16	rc
REV	PCR NO	DESCRIPTION	DATE	BY

TITLE PVA6FP24S11				
SCALE	DATE	DR	DWG	REV
2:1	9/20/2016	rc	T960009	C

THE INFORMATION CONTAINED IN THIS DOCUMENT IS PROPRIETARY TO E-SWITCH AND IS NOT TO BE COPIED OR TRANSFERRED